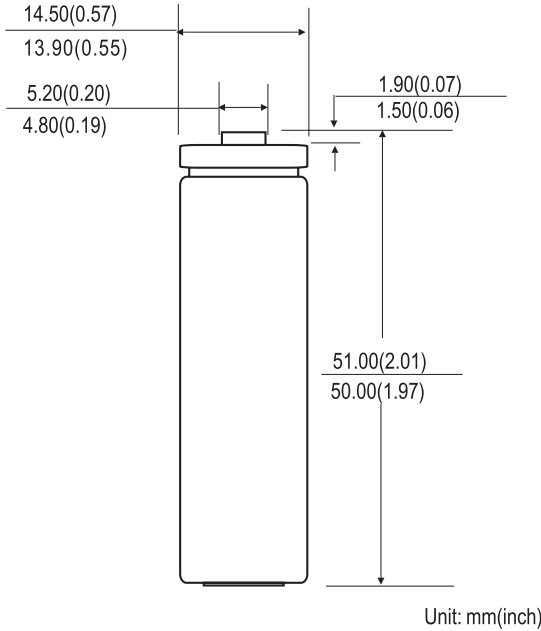


Professional Ready to Use Minimum self discharge

NH-AA2500AR

Dimensions:

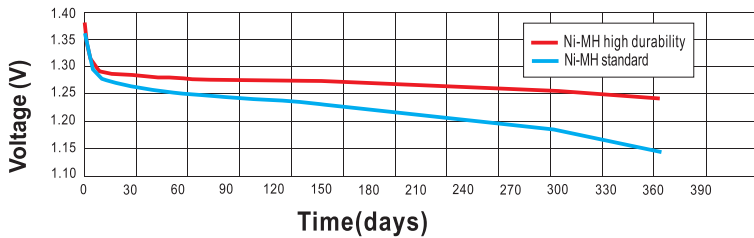


| | |
|--|---|
| Camelion Model | : NH-AA2500AR |
| Average Weight | : 29.0g |
| Dimension (ØH) | : 14.2 ^{±0.3} x 51 ⁻¹ mm (0.56 ^{±0.01} x 2.01 ^{-0.04} inch) |
| Nominal Voltage | : 1.2 Volts |
| Nominal Internal Resistance | : 33m-ohm @ 1kHz |
| Capacity(420mA constantly discharge to 1.0V at 20±2 °C) | |
| Typical | : 2500mAh |
| Minimum | : 2300mAh |
| Max. Charge Current | : 2500mA |
| Max. Discharge Current | : 5000mA |
| Relative Humidity | : 65±20% |
| Jacket | : PVC Label |

Storage for 365days

Measurement temperature: 20 ± 5 °C

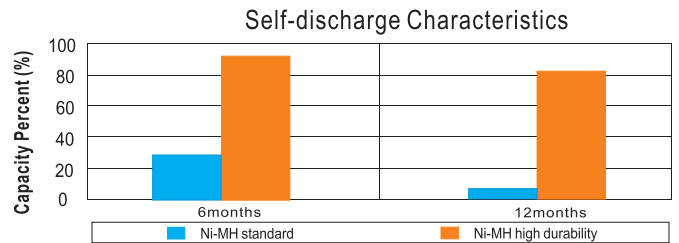
Storage procedure: storage for 365 days, measure the voltage and then perform capacity test



Residual Capacity after Storage

Measurement temperature: 20 ± 5 °C

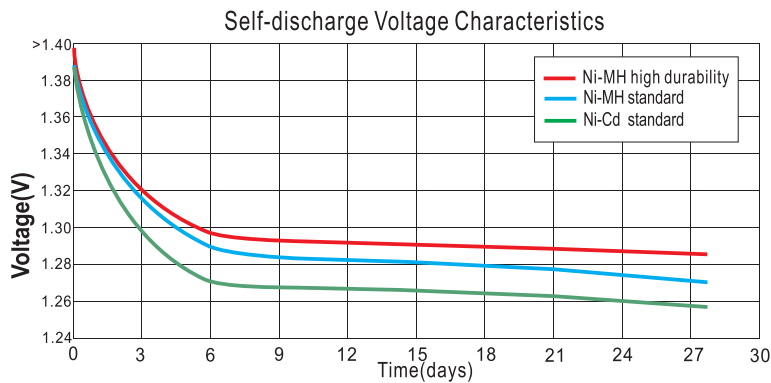
Procedure : 0.1C charge for 16hrs; Storage for 12 months; 0.2C discharge to 1.0V;



Standard Self Discharge

Measurement temperature: 20 ± 5 °C

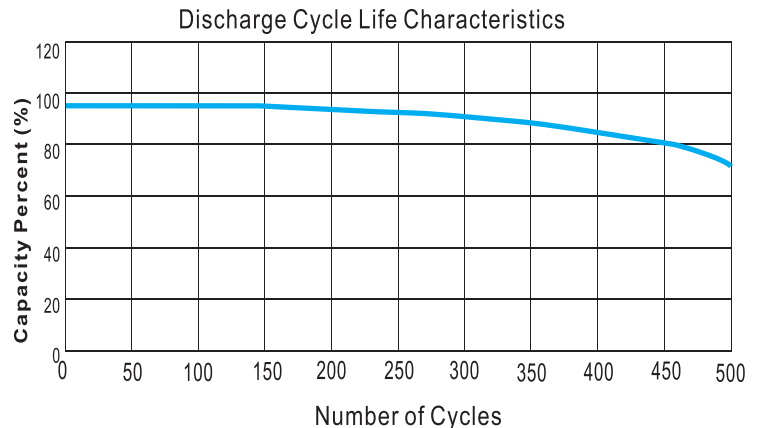
Procedure : 0.1C charge for 16hrs; Storage for 28 days; 0.2C discharge to 1.0V;



Superior Cycle Life of 1C

Measurement temperature: 20 ± 5 °C

Procedure : 1C charge for 72mins (-ΔV=10mv); Rest for 60mins; 1C discharge to 1.0V; Rest for 60mins;



| | Ni-MH high durability | Ni-MH standard | Ni-Cd standard |
|-------------------|-----------------------|----------------|----------------|
| Residual Capacity | 89.6% | 80.3% | 81.4% |

Notice:

Environmental elements comply with RoHS requirements. This information is subject to change without prior notice and for reference only. It should not be used as a basis for a product guarantee or warranty. For additional information, please consult your nearest Camelion Sales Office or Distributor or visit our website at: www.camelionbattery.com.